



Manufacturer of shut-off and control valves

# TECHNICAL DATA SHEET

**Limit switch unit ELEPHANT APL-210N**



+34 900 433 073, [sales@valveelephant.com](mailto:sales@valveelephant.com)  
Carrer d'Aragó, 264, 3-1, 08007 Barcelona, Spain

## GENERAL PRODUCT INFORMATION

Product name: Unit of limit switches ELEPHANT APL-210N.

Purpose: The limit switch unit is designed for visual and electrical signalling of the end positions of the shut-off valve, valve, tap or disc gate. It is mounted on top of the pneumatic actuator surface and is connected to the actuator shaft in DIN standard. The sealed box usually contains two sensors that monitor the position of the actuator shaft and signalise in extreme positions. OMRON microswitches, inductive sensors or reed switches are used as sensors.

Visual indication of the position can be observed on the unit housing there is a 3D visual indicator RED-CLOSED and GREEN-OPEN.



## BASIC TECHNICAL DATA AND CHARACTERISTICS

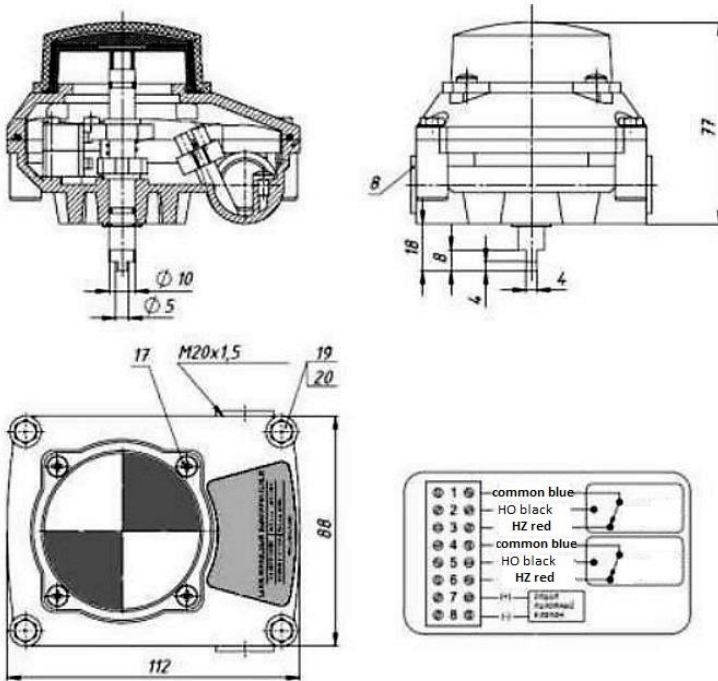
Parameter	Standard Version	Option
Protection	Weatherproof IP65	IP67
Ambient Temperature	From -40°C to +80°C	From -50°C to +80°C
Cable Entry Thread	2 x NPT1/2"	PF1/2", P1/2" M20x1.5, PG13.5
Terminal Block	8 cells 0.08-2.6mm <sup>2</sup>	—
Voltage	12V, 24V, 38V, 48V, 110V, 220V, 250V	—
Indicator Position	CLOSED: red, OPEN: green	CLOSED: red, OPEN: yellow
Sensor	2 SPDT electromechanical microswitches OMRON V151-1C25	2 NPN inductive sensors, 2 NAMUR contactless switches
External Coating	Polyester coating (black)	Red, green, yellow, blue colors
Shaft	Standard shaft (17mm)	Extended shaft

## INFORMATION ON THE MATERIALS OF THE MAIN PARTS

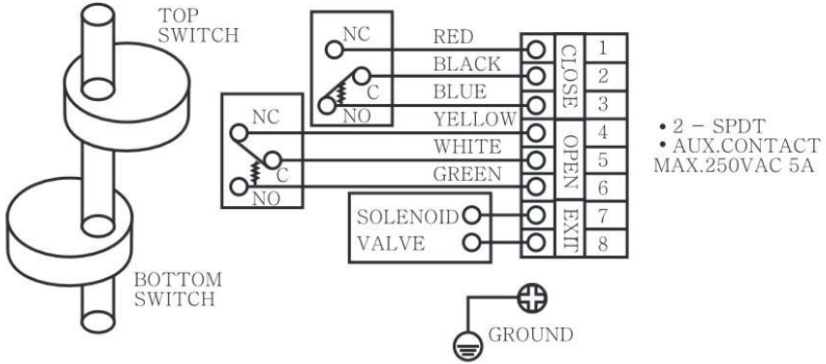
Nº	Part Name	Material	Nº	Part Name	Material
1	Body	Cast aluminum	6	Screws	Stainless steel
2	Indicator cap	Polyester plastic	7	Sealing rings	NBR
3	3D Indicator	ABS plastic	8	Bushing	Bronze
4	Cam	Polyester plastic	9	Grounding terminal	Stainless steel
5	Spring	Stainless steel	10	Shaft	Stainless steel



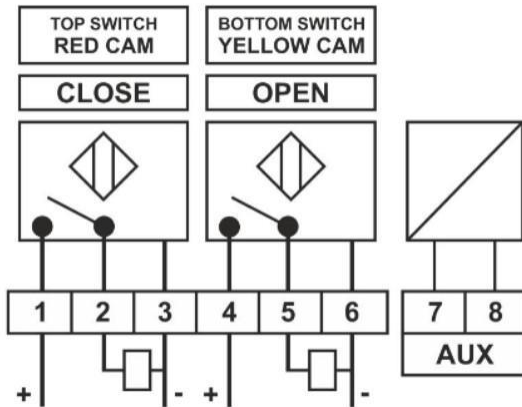
## MAIN DIMENSIONS OF THE LIMIT SWITCH UNIT



## WIRING DIAGRAM



## WIRING DIAGRAM ELEPHANT TYPE INDUCTIVE



## INSTALLATION AND OPERATION

The limit switch unit can be operated in any mounting position without restriction.

1. To mount the limit switch unit to the valve/gearbox, check that the mounting flanges are compatible
2. Make sure that the bore and keyway fit the input shaft.
3. Lightly grease the input shaft.
4. Install the limit switch unit. **MAKE SURE THAT THE FLANGES ARE CORRECTLY CENTRED AND FULLY SEATED.**
5. Fasten the limit switch unit with bolts.

To protect the contact surface against corrosion, it is recommended to apply sealing grease to the bolt threads.

6. Tighten evenly crosswise with tightening torques.

## WARRANTY PERIOD

Warranty period - 12 months from the date of commissioning, but not more than 18 months from the date of sale.

The warranty does not apply:

- parts and materials of the product subject to wear and tear;
- for cases of damage caused by:
  - modifications to the original design of the product;
  - violation of general installation recommendations;
  - faults caused by improper maintenance and warehousing;

Improper use and application of the equipment.



## SALES MARK

№	Product Name	Packs

Date of Sale: \_\_\_\_\_

L.S.

