



Manufacturer of shut-off and control valves

TECHNICAL DATA SHEET

**High pressure solenoid valve ELEPHANT VS931-xT-NC-x
DN15-50 100 bar piston valve, pilot-acting, stainless steel,
threaded**



+34 900 433 073, sales@valveelephant.com
Carrer d'Aragó, 264, 3-1, 08007 Barcelona, Spain

GENERAL PRODUCT INFORMATION

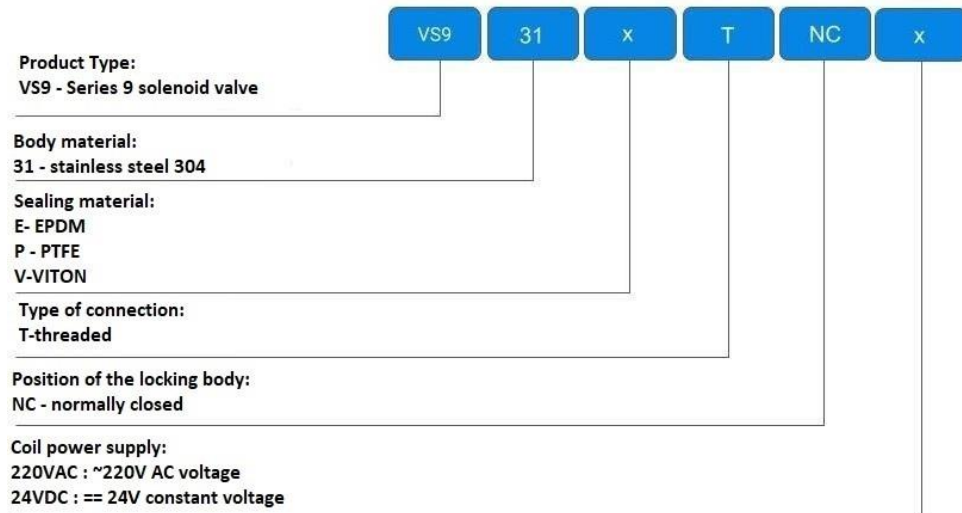
Product name: High pressure solenoid valve ELEPHANT VS931-xT-NC-x DN15-50 100 bar piston, pilot-acting, stainless steel, threaded.

Purpose: Solenoid solenoid valve is a special device designed for convenient control of the working medium. This process is carried out in a pressurized pipeline. In a normally closed solenoid valve, the closed position is maintained if no control voltage is applied to its induction coil. When voltage is applied to the coil, the normally closed valve opens and allows the process medium to flow through. When the control voltage is switched off, the valve closes automatically and blocks the medium flow in the pipeline.

Attention! Pilot-operated valves may be installed **ONLY** on a horizontal pipeline section.



Deciphering of the designation:

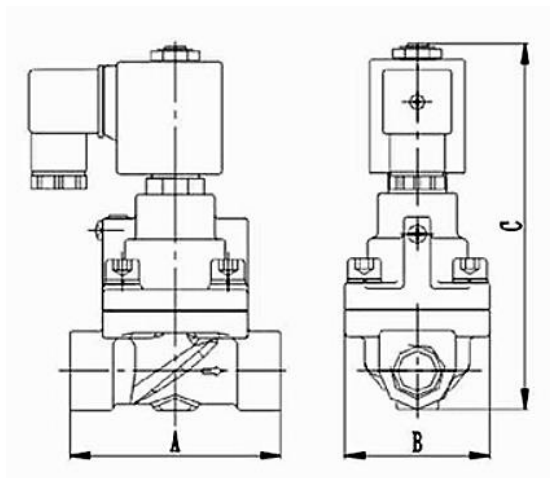


BASIC TECHNICAL DATA AND CHARACTERISTICS

Nominal diameter DN, mm (inch)	15 – 50 (1/2”-2”)
Working pressure PN, bar	6...100
Working medium temperature t, °C	-5 to +80: PTFE -10 to +120: VITON -10 to +120: EPDM
Working medium	Water, liquid media, air, gaseous media, light oils
Operating principle	Pilot
Device type	Normally closed
Pipeline connection	Threaded
Thread type	G
Coil supply	AC220V or DC24V
Housing material	steel 304
Sealing	PTFE/VITON/EPDM
Protection degree	IP65
Coil insulation degree	H
Coil type	<ul style="list-style-type: none">• Normal• Low power (*option)
Coil construction	With DIN connectors



BASIC VALVE DIMENSIONS



DN	Ø aisle	Ø sections	A	B	C
	inch	mm			
15	1/2"	15	80	55	140
20	3/4"	20	90	60	153
25	1"	25	100	68	162
32	1 1/4"	32	110	80	170
40	1 1/2"	40	130	90	185
50	2"	50	150	108	201

BASIC VALVE PARAMETERS

DN	Ø aisle	Throughput	Working pressure (bar)		
			Minimum pressure	Maximum pressure	
	inch	m3/hour		AC	DC
15	1/2"	4.8	6	6-100	6-100
20	3/4"	7.6	6	6-100	6-100
25	1"	12	6	6-100	6-100
32	1 1/4"	24	6	6-80	6-80
40	1 1/2"	30	6	6-80	6-80
50	2"	48	6	6-80	6-80



WARRANTY PERIOD

Warranty period - 12 months from the date of commissioning, but not more than 18 months from the date of sale.

The warranty does not apply:

- parts and materials of the product subject to wear and tear
- for cases of damage caused by:
 - violations of the product storage, installation, testing, operation and maintenance specifications;
 - improper transportation and handling operations;
 - the presence of traces of exposure to substances aggressive to the product materials;
 - presence of damage caused by fire, elements, force majeure circumstances;
 - damage caused by incorrect actions of the consumer;
 - traces of tampering with the design of the product.

SALES MARK

No	Product Name	Packs

Date of Sale: _____

L.S.

