



Manufacturer of shut-off and control valves

TECHNICAL DATA SHEET

Handwheel ELEPHANT MON_{x-x-x}-ISO for pneumatic actuators and quarter-turn valves



+34 900 433 073, sales@valveelephant.com
Carrer d'Aragó, 264, 3-1, 08007 Barcelona, Spain

GENERAL PRODUCT INFORMATION

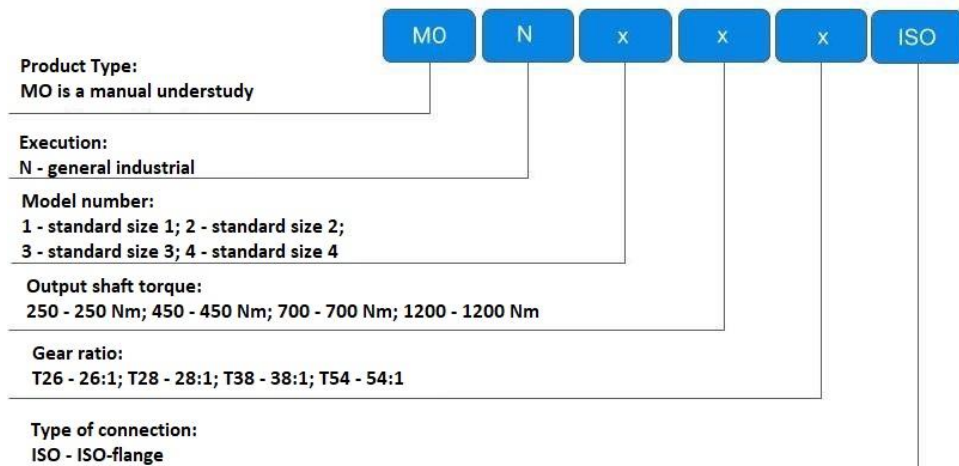
Product name: Handwheel ELEPHANT MONx-x-x-x-ISO for pneumatic actuators and quarter-turn valves.

Purpose: The HDM worm gear manual quarter-turn doubleturn actuator with reduction gearbox allows manual adjustment of the required positioning of the shut-off valve by a quarter turn, acting as an alternative to pneumatic, electric or hydraulic quarter-turn actuators.

Suitable for both indoor and outdoor installation. The modular design of the manual override is intended to provide the most effective and efficient solution to the full range of manual override applications.



Deciphering of the designation:



BASIC TECHNICAL DATA AND CHARACTERISTICS

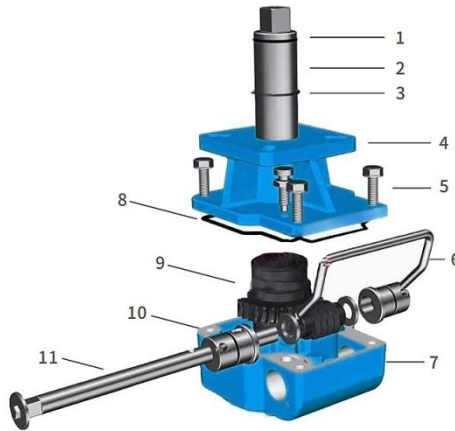
Operating mode	repetitive-short-term, reversible
Operating temperature t, °C	- 20 to +80
Working environment	filtered compressed air or non-aggressive gases, oils
Degree of protection	IP67
Connection type	ISO 5211
Application	water supply, heating, fire extinguishing, heating stations
Mounting	horizontal/vertical
Stroke	mechanical limit 0-90 °
Operating environment	indoors and outdoors
Place of installation	between pneumatic actuator and ball valve or gate valve
Shaft angle	90° ± 5°

CONNECTING DIMENSIONS

Handwheel model	Stem size, mm	ISO-5211
MON1-250-T26-ISO	■14x14	F05, F07
MON2-450-T28-ISO	■17x17	F07, F10
MON3-700-T38-ISO	■22x22	F07, F10, F12
MON4-1200-T54-ISO	■27x27	F10, F12, F14



MATERIAL INFORMATION FOR MAJOR PARTS



Nº	Name	Material	Nº	Name	Material
1	Stem for mounting	Steel 45	6	Locking bracket	Steel 304
2	Sealing ring	EPDM	7	Housing	Aluminum alloy
3	Fixing spring	Spring steel	9	Gearbox	Cast iron BCh50
4	Upper end cover	Aluminum alloy	10	Transition	Cast iron BCh40
5	Screw	Steel 304	11	Gear stem	Cast iron BCh40

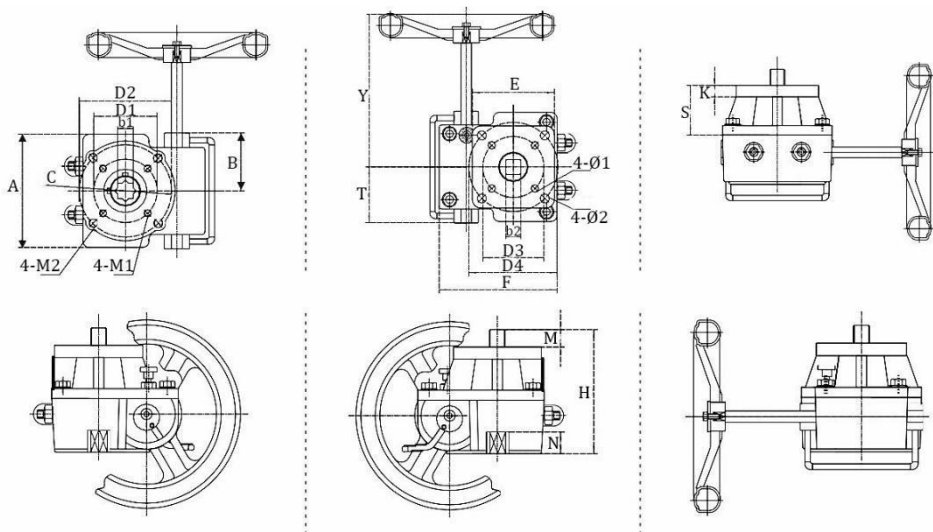
TECHNICAL CHARACTERISTICS

Model	Gear ratio	Torque	Weight
		Nm	kg
MON1-250-T26-ISO	26:1	250	3
MON2-450-T28-ISO	28:1	450	4.5
MON3-700-T38-ISO	38:1	700	6.9
MON4-1200-T54-ISO	54:1	1200	13.7



BASIC DIMENSIONS OF HANDWHEELS

Model	b1	N	b2	M	D1	4-M1	D2	4-M2	E	D3	4-Ø1	D4	4-Ø2
	mm												
MON1-250-T26-ISO	14	22	14	16	Ø50	4-M6	Ø70	4-M8	70*70	Ø50	4-Ø6.5	Ø70	4-Ø8.5
MON2-450-T28-ISO	17	22	17	18	Ø70	4-M8	Ø102	4-M10	95*95	Ø70	4-Ø8.5	Ø102	4-Ø10.5
MON3-700-T38-ISO	22	28	22	22	Ø102	4-M10	Ø125	4-M12	114*114	Ø102	4-Ø10.5	Ø125	4-Ø12.5
MON4-1200-T54-ISO	27	32	27	30	Ø102	4-M10	Ø125	4-M12	129*129	Ø125	4-Ø12.5	Ø140	4-Ø16.5



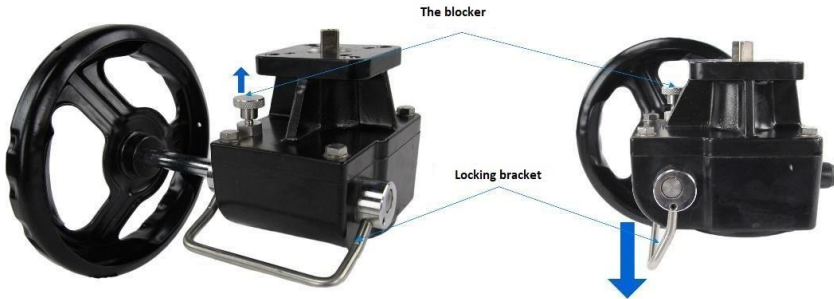
Model	A	B	ØC	F	T	Y	H	S	K	Ø helm
	mm									
MON1-250-T26-ISO	90	55	Ø88	115	44	145	120	53	10	180
MON2-450-T28-ISO	125	64	Ø110	135	62.5	178	133	56.5	13	200
MON3-700-T38-ISO	140	71	Ø129	166	70	212	180	68.7	12.5	280
MON4-1200-T54-ISO	188.5	93	Ø174	202	94	280	195	84	15	320



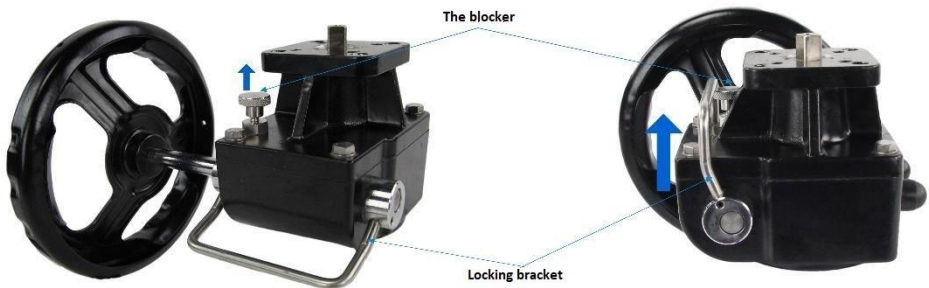
OPERATING MANUAL

The hand-held dowel is equipped with a locking clamp with mechanical locking device.

1. To engage the handwheel, remove the interlock and rotate the locking clamp downward. In this bracket position, the handwheel of the handwheel actuator is mechanically connected to the pneumatic actuator (rotation of the pneumatic actuator rotates the handwheel as well).



2. To disengage the handwheel and return to automatic operation of the air actuator, remove the locking device and rotate the locking clamp upward clockwise. In this position, the handwheel of the handwheel actuator is mechanically disconnected from the air actuator and has no effect on its operation.



WARRANTY PERIOD

Warranty period - 12 months from the date of commissioning, but not more than 18 months from the date of sale.

The warranty does not apply:

- parts and materials of the product subject to wear and tear
- for cases of damage caused by:
 - violations of the product storage, installation, testing, operation and maintenance specifications;
 - improper transportation and handling operations;
 - the presence of traces of exposure to substances aggressive to the product materials;
 - presence of damage caused by fire, elements, force majeure circumstances;
 - damage caused by incorrect actions of the consumer;
 - traces of tampering with the design of the product.

SALES MARK

No	Product Name	Packs

Date of sale: _____

L.S.

