



Manufacturer of shut-off and control valves

TECHNICAL DATA SHEET

Limit switch ELEPHANT APL-410N EX explosion-proof



+34 900 433 073, sales@valveelephant.com
Carrer d'Aragó,264,3-1,08007 Barcelona, Spain

GENERAL INFORMATION ABOUT THE PRODUCT

Product Name: Limit switch Elephant APL-410N EX explosion-proof

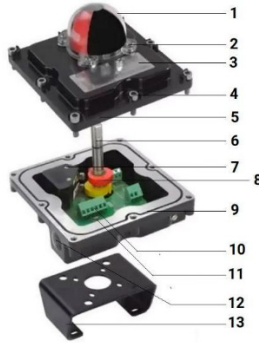
Purpose: The limit switch box is designed for visual and electrical signaling of the final positions of the shut-off valve body: ball-check-valve, ball valve or wafer butterfly valve. Mounted on top of the surface of the pneumatic actuator and connected to the drive shaft DIN standard. In a sealed box, as a rule, there are two sensors that monitor the position of the drive shaft and signal in extreme positions. OMRON microswitches, inductive sensors or reed switches are used as sensors. A visual indication of the position can be observed on the body of the box there is a 3D visual indicator RED-CLOSED and GREEN-OPEN.

MAIN TECHNICAL DATA AND CHARACTERISTICS

Case	Weatherproof IP65/NEMA4&4X Exd IIB T6
Compatible devices	- quarter-turn pneumatic actuators; - any actuators with 90° shaft rotation
Full swing angle	90°
Cable glands	2 x NPT1/2"
Electrical connection	screw terminals 8 points (0.05 - 2.5) mm ²
Cable gland threads	2 x NPT1/2"
Type of visual indicator	two-color hemisphere: OPEN (Open) - yellow CLOSED (Closed) - red
Switches/sensors	two mechanical switches two proximity sensors
Rated voltage, V	250
Rated voltage, V	10
Permissible ambient temperature, °C	-25 to +80
Service life, years	10



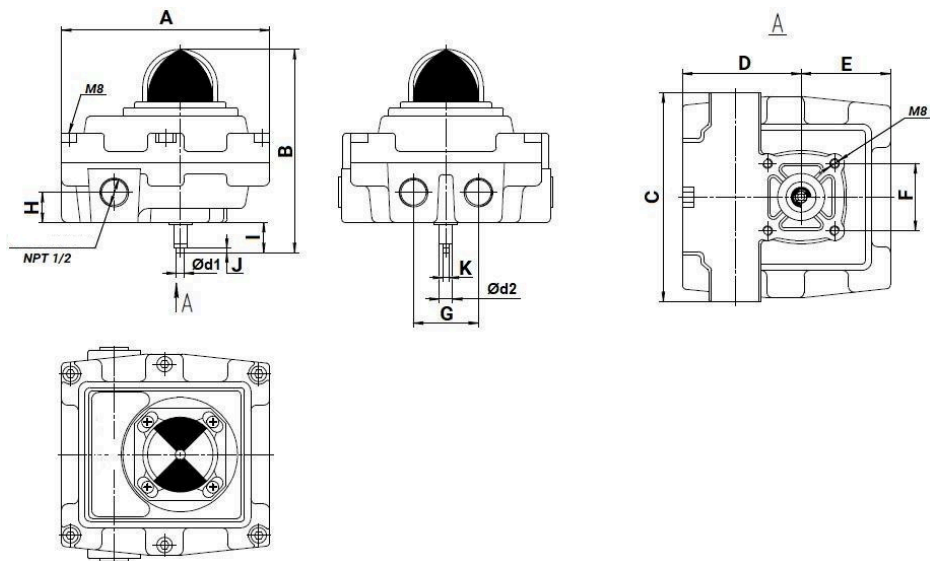
INFORMATION ABOUT THE MATERIALS OF THE MAIN PARTS



Nº	Name	Material	Quantity
1	Visual indicator	ABS plastic / polycarbonate	1
2	Visual indicator cover	polycarbonate	1
3	Label	-	1
4	BCB cover screws	stainless steel	8
5	Cover of the BCB housing	aluminum die casting die casting	1
6	Shaft	stainless steel	1
7	Limit switches	-	2
8	Cams (eccentrics)	polycarbonate	2
9	BCV enclosure	aluminum die casting die casting	1
10	terminal	-	1
11	Ground terminal	stainless steel	1
12	Hole (thread) for cable entry	-	2
13	Bracket	stainless steel	1



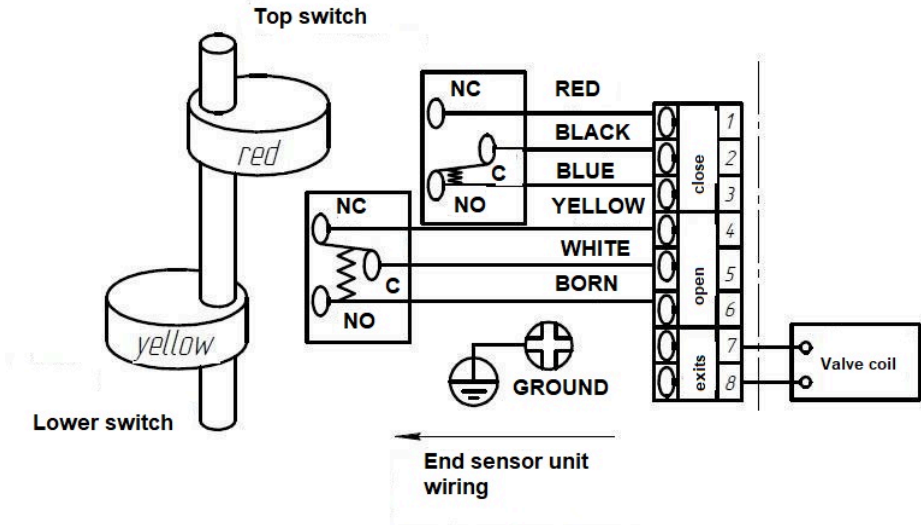
MAIN DIMENSIONS OF THE LIMIT SWITCH



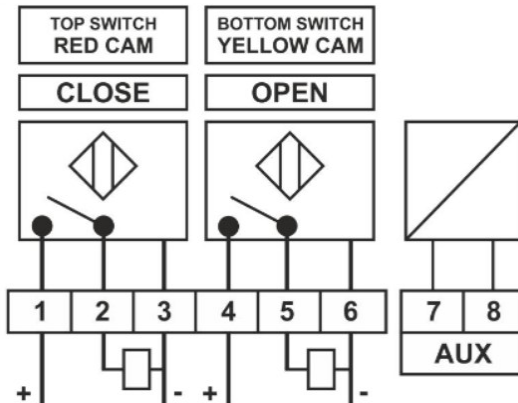
A	B	C	D	E	F	G	H	I	J	K	Ød1	Ød2
mm												
177	174	178	101	76	57	55	23	27	3	4	Ø5	Ø9,5



WIRING DIAGRAM OF THE LIMIT ELEPHANT APL-410N EX



CONNECTION DIAGRAM OF THE LIMIT SWITCH ELEPHANT APL-410N EX



INSTALLATION AND OPERATION

1. The limit switch unit can operate in any mounting position without restrictions.
2. To install the limit switch unit on the valve/gearbox, check the compatibility of the mounting flanges.
3. Make sure that the hole and keyway fit the input shaft.
4. Lightly lubricate the input shaft.
5. Install the limit switch unit. **PAY ATTENTION TO THE CORRECT CENTERING AND FULL FIT OF THE FLANGES.**
6. Secure the limit switch block with bolts.
7. To protect the contact surface from corrosion, it is recommended to apply sealing grease to the bolt threads.
8. Pull evenly crosswise with tightening torques.

WARRANTY PERIOD

The manufacturer guarantees the operability of the product for 12 months from the date of commissioning, but not more than 18 months from the date of sale.

The warranty does not cover defects that have occurred in the following cases:

- violations of the passport modes of storage, installation, testing, operation and maintenance of the product;
- improper transportation and loading and unloading operations;
- the presence of traces of exposure to substances that are aggressive to the materials of the product;
- the presence of damage caused by fire, the elements, force majeure;
- damages caused by improper actions of the consumer;
- the presence of traces of outside interference in the design of the product.



MARK OF SALE

Nº in order	Name	Quantity

Date of sale: _____

P.P.

