



Manufacturer of shut-off and control valves

TECHNICAL DATA SHEET

**Ball valve ELEPHANT BV0030NP-SP-3x-T-ED DN15-40
16 bar three-way, standard-bore, brass, threaded with
electric actuator 220V/24V without limit switches**



+34 900 433 073, sales@valveelephant.com
Carrer d'Aragó, 264, 3-1, 08007 Barcelona, Spain

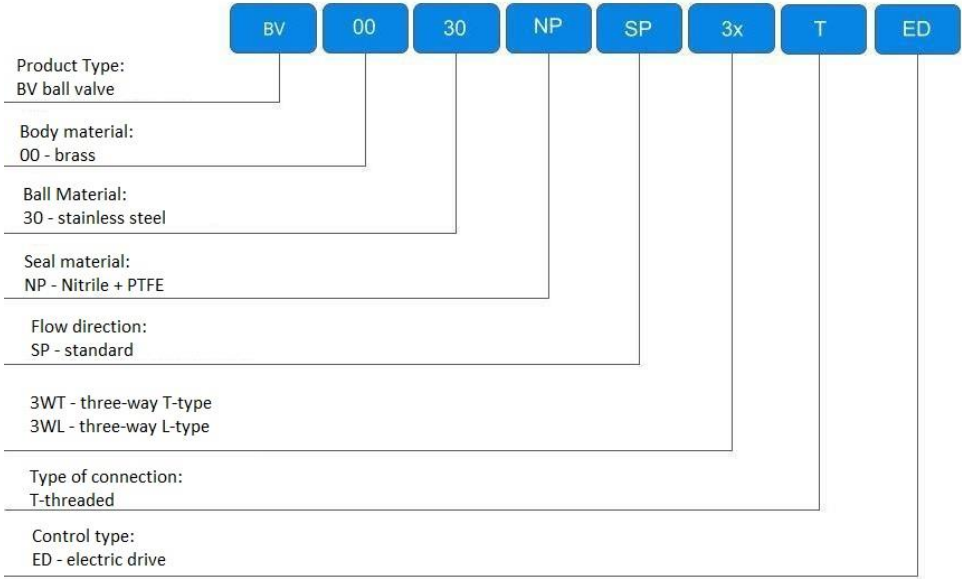
1. ОБЩИЕ СВЕДЕНИЯ ОБ ИЗДЕЛИИ

1.1 Product Name: Ball Valve ELEPHANT BV0030NP-SP-3T/L-T-ED DN15-40 16 bar three-way, standard-bore, brass, threaded with electric actuator 220V/24V without limit switches.

1.2 Purpose: Electrically operated ball valves RP.BRASS.120.MM are suitable for on/off control in heating and oil air conditioning systems and are powered by electricity. They consist of two components: a ball valve and an actuator. The actuator turns the valve off when it is fully open or closed. T-type valves can be adjusted by turning the stem 180°. Actuated ball valves RP.BRASS.120.MM are used in heating, air conditioning, ground heating, solar energy and other systems.



1.3 Deciphering the designation:

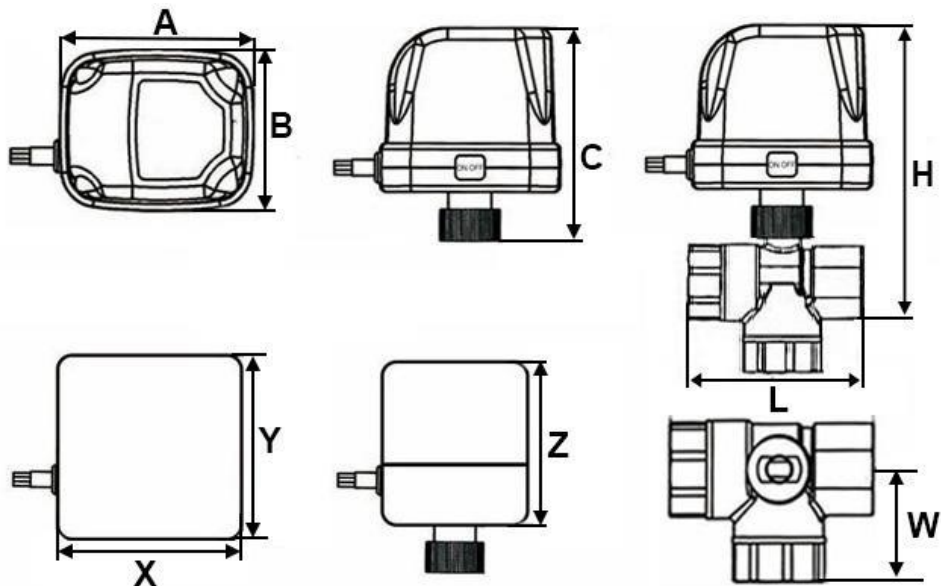


BASIC TECHNICAL DATA AND CHARACTERISTICS

| | |
|----------------------------------|---|
| Nominal diameter DN, mm | 15 – 40 |
| Nominal pressure PN, bar | 16 |
| Closing pressure difference, MPa | < 0.2 |
| Operating temperature t, °C | +2 ... +120 |
| Valve body material | Brass LS59-1 |
| Valve ball | stainless steel |
| Rod | stainless steel |
| Seal | Nitrile rubber + PTFE |
| Thread type | Cylindrical G / BSPP pipe threads |
| Connection to piping | threaded |
| Feeding | 220V, 110V and 24V AC; 24V, 12V and 5V DC |
| Ball passage | Reduced, standard bore |
| Power consumption, W | 6 (valve opening and closing only) |
| Protection class | IP65 |
| Motor class | synchronous |
| Drive operation mode | Three-phase floating point |
| Operating time, sec | 6 – 15 |
| Valve type | Three-way T-type and L-type |
| Operating medium | Cold and hot water, 60% ethylene glycol (glycerin) solution |



BASIC CRANE DIMENSIONS



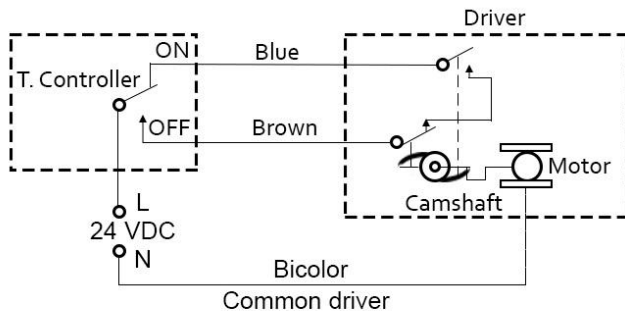
| | | | | | |
|----------------|------|------|------|--------|--------|
| DN, mm | 15 | 20 | 25 | 32 | 40 |
| Size in inches | 1/2" | 3/4" | 1" | 1 1/4" | 1 1/2" |
| H, mm | 127 | 137 | 142 | 166 | 180 |
| W, mm | 43 | 53 | 61 | 76 | 94 |
| L, mm | 55 | 67 | 80 | 98 | 120 |
| Ø sections, mm | 10 | 14 | 17 | 24 | 30 |
| Weight, kg | 0,93 | 1,14 | 1,45 | 2,15 | 2,57 |



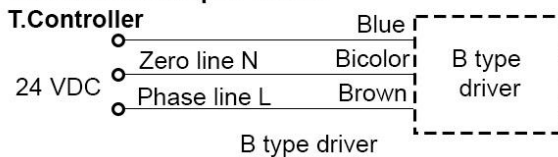
MAIN DIMENSIONS OF THE ACTUATOR

| A | B | C | X | Y | Z |
|----|----|----|----|----|----|
| mm | | | | | |
| 80 | 63 | 84 | 63 | 71 | 83 |

WIRING DIAGRAM FOR 220V ELECTRIC ACTUATOR



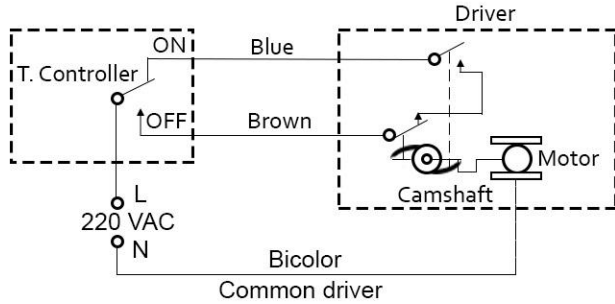
Connect to the open end of



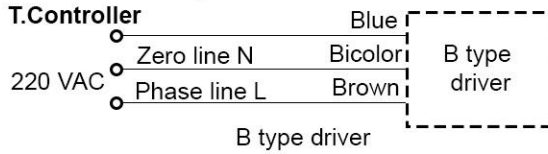
Note: the zero line of valve shall be same as temperature controller



WIRING DIAGRAM OF THE ACTUATOR 24V



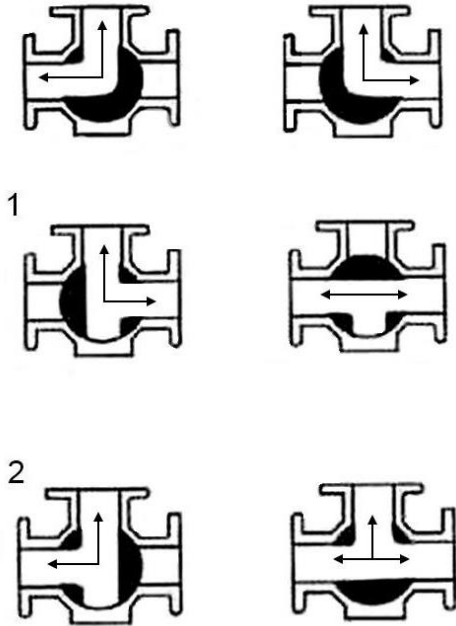
Connect to the open end of



Note: the zero line of valve shall be same as temperature controller



FLOW DIRECTION IN THE VALVE



OPERATING MANUAL

The electrically operated crane has two operating modes:

- 1) Electricity is consumed ONLY when the valve is opening-closing. The ground wire is permanently connected, when the first wire is energized, the valve starts to open, when the second wire is energized, the valve starts to close.

Two wires are permanently energized: valve closing and ground. If the valve is to be opened, the third wire must be energized. As soon as the power is removed from the third wire, the valve closes automatically, similar to the principle of action of a return spring.



WARRANTY PERIOD

Warranty period - 12 months from the date of commissioning, but not more than 18 months from the date of sale.

The warranty does not apply:

- parts and materials of the product subject to wear and tear
- for cases of damage caused by:
 - violations of the product storage, installation, testing, operation and maintenance specifications;
 - improper transportation and handling operations;
 - the presence of traces of exposure to substances aggressive to the product materials;
 - presence of damage caused by fire, elements, force majeure circumstances;
 - damage caused by incorrect actions of the consumer;
 - traces of tampering with the design of the product.

SALES MARK

| No | Product Name | Packs |
|----|--------------|-------|
| | | |
| | | |
| | | |

Date of Sale: _____

L.S.

